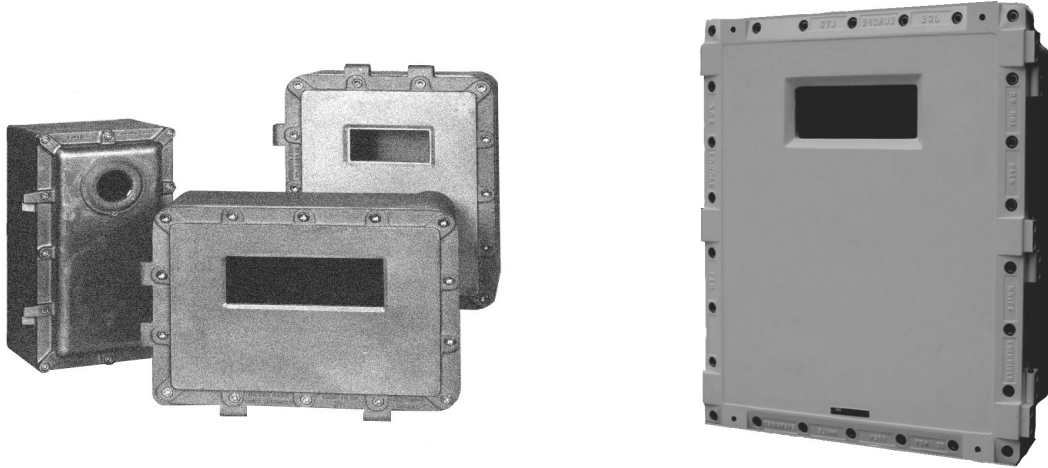


Ex Enclosure Series (EJBW)



ATEX



The JCE range of EJBW explosion proof, windowed enclosures are intended for use in areas made potentially hazardous by the presence of flammable liquids, gases, vapours and dusts (Zones 1, 2, 21 and 22).


Their function is to house a wide range of electrical equipment and devices including terminals, relays, contactors, ammeters, variable speed drives, PLCs, batteries and other transmitting/receiving instruments. They can be custom built to exact specification.

The JCE Group EJBW enclosures are compatible with the entire range of JCE components, which include Push Buttons (PB), Pilot Lights (PL), Emergency Stop Buttons (ES), Key Switches (KS) and Flameproof Handles (SS).

Materials and Finish

Body & Cover -	Aluminium alloy ENAC-42000 (LM25) to BS EN 1706:1998 with less than 0.2% copper content.
Cover Bolts -	Stainless steel (304)
Mounting Plate -	Mild steel zinc plated (passivated) Aluminium (EJB60)
Finish -	Natural. A corrosion resistant finish is also available, see options.
Earthing -	All enclosures are supplied with a 6mm stainless steel (304) internal and external earth stud as standard. Larger internal earths can be fitted on request.
Gasket -	Silicone AD16

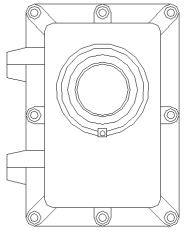
Ratings and Approvals

Categories -	 II 2 (1) G II 2 (1) D
Codes -	Ex d [] IIB T4...T6 Gb Ex d [] IIB+H ₂ T4...T6 Gb Ex tb [] IIIC T135...T85°C Db Ex d op pr [] IIB T4...T6 Gb Ex d op pr [] IIB+H ₂ T4...T6 Gb Ex tb op pr [] IIIC T135...T85°C Db
Protection Grade -	IP66
Certificate Nos -	TRAC12ATEX0020X IECEx TRC 12.0008X RU C-GB.M IO 62.B.03985
Temperature -	-40°C to +60°C (See page 4 for full specifications)

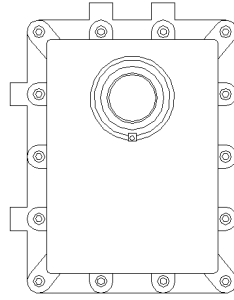
Window Dimensions

Covers with round windows

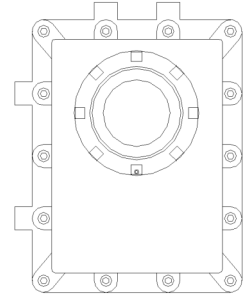
EJBSH1
with $\varnothing 60\text{mm}$ window



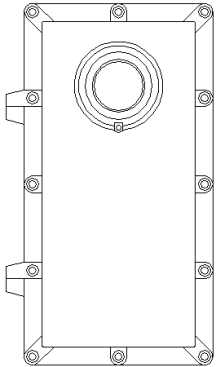
EJBH3
with $\varnothing 60\text{mm}$ window



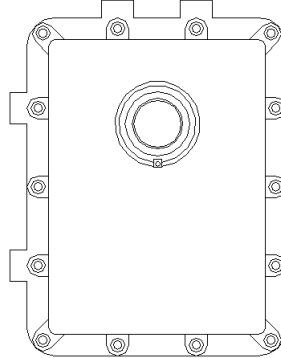
EJBH31
with $\varnothing 86\text{mm}$ window



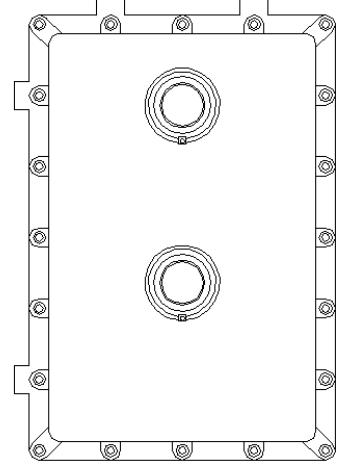
EJBSH2
with $\varnothing 60\text{mm}$ window



EJBH4
with $\varnothing 60\text{mm}$ window

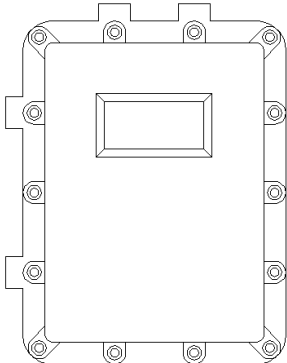


EJBH5
with $\varnothing 60\text{mm}$ window

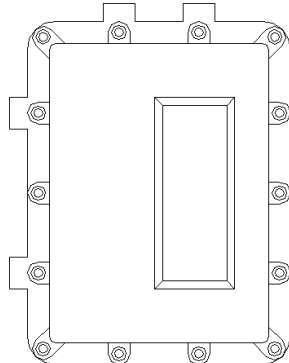


Covers with rectangular windows

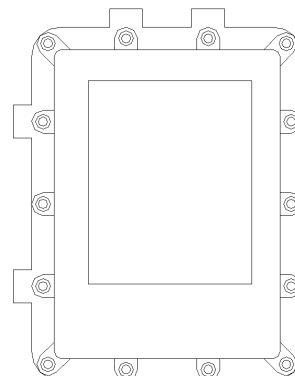
EJBWV4
with 125 x 60mm window



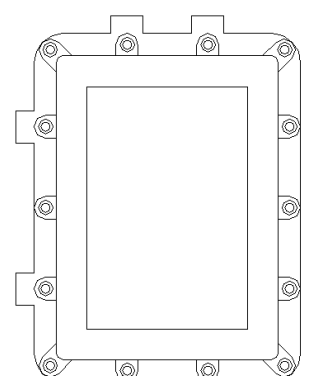
EJBWH4
with 220 x 80mm window



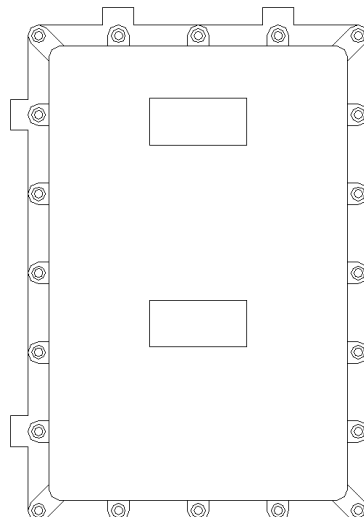
EJBWM4
with 199 x 247mm window



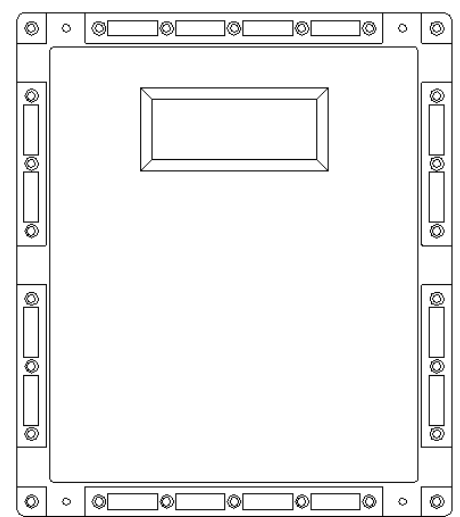
EJBWL4
with 199 x 299mm window



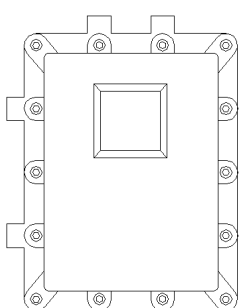
EJBWV5
with 125 x 60mm window



EJBW60
with 220 x 80mm window

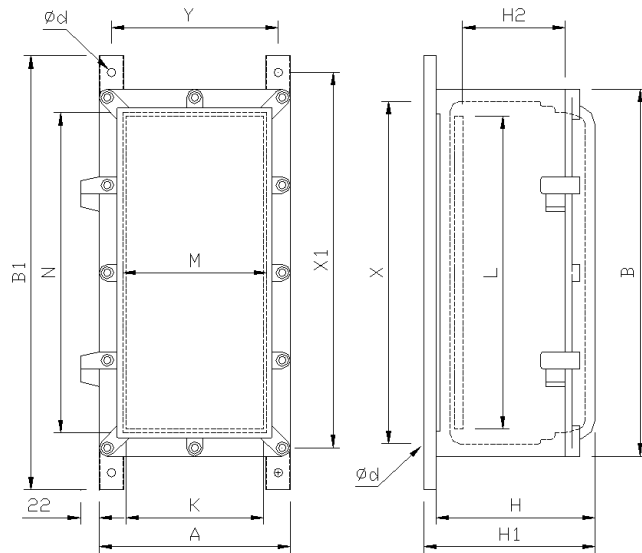


EJBWH3
with 75 x 75mm window

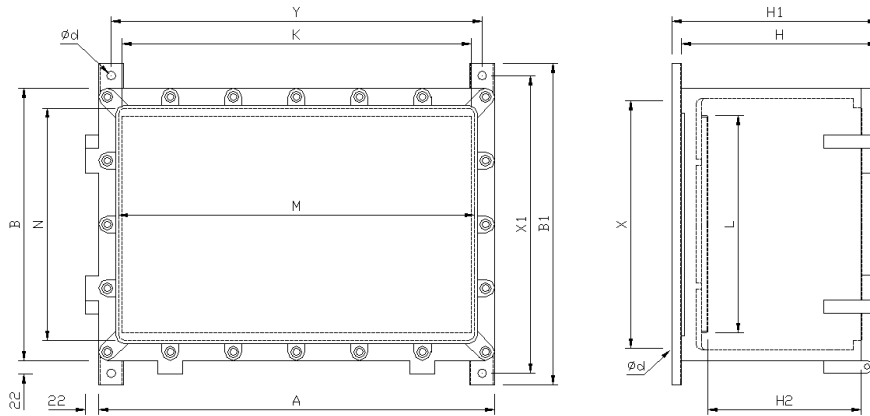


Enclosure Dimensions

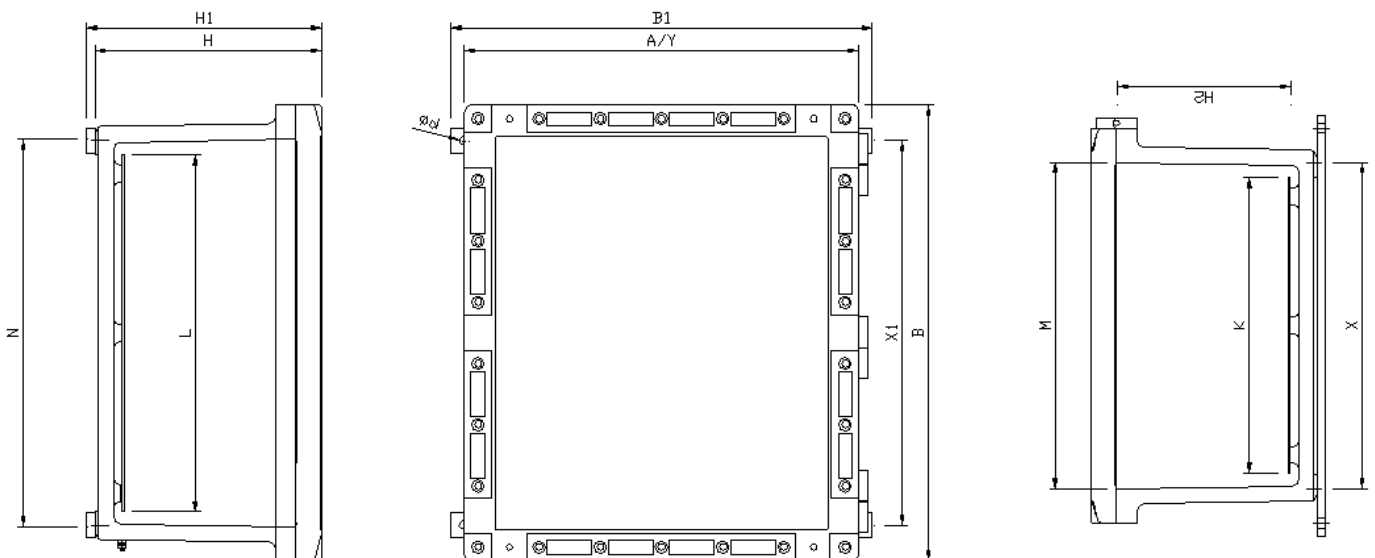
EJB SH1/2



EJBW**3/4/5 & EJBH31



EJBW60



ENCLOSURE	OVERALL DIMENSIONS						MOUNTING DETAILS					MOUNTING PLATE		WINDOW (mm)	WT (KG)
	Cat. No	A	B	B1	H	H1	H2	X	X1	Y	d	Ød	K	L	-
EJBH31A	350	270	350	257	272	190	240	310	320	M12	14	280	200	86 Ø	18.5
EJBH31RA	350	270	350	217	232	150	240	310	320	M12	14	280	200	86 Ø	16.5
EJBW60	580	670	620	333	346	252	565	475	565	M12	14	445	535	220x80	96
EJBW5A	640	440	520	317	332	215	400	480	600	M12	14	565	350	125x60	64
EJBW5RA	640	440	520	220	235	128	400	480	600	M12	14	565	350	125x60	55
EJBWV5A	430	330	410	274	289	207	290	370	390	M12	14	345	255	*	33
EJBWV5RA	430	330	410	217	232	150	290	370	390	M12	14	345	255	*	28.5
EJBH1	180	260	330	193	208	145	230	300	150	M8	10	120	200	60 Ø	9
EJBH2	230	440	510	191	206	120	410	480	200	M8	10	165	375	60 Ø	13.9
EJB/H/WH/3A	350	270	350	257	272	190	240	310	320	M12	14	280	200	*	18.5
EJB/H/WH/3RA	350	270	350	217	232	150	240	310	320	M12	14	280	200	*	16.5

* See page 2 for window dimensions

Series Designation	Gas Group	Dust Group	Ambient Temperature Range
EJBH1	IIB+H ₂	IIIC	-40°C to +40°C or -40°C to +60°C
EJBH2, EJBW**3/4/5, EJBW60 and EJBH31A	IIB or IIB+H ₂	IIIC	-20°C to +40°C or -20°C to +60°C

Entries and Thread Standards

- Each side of an enclosure will accommodate a varying number of tapped entries.
- Please provide a sketch indicating the enclosure required with size and location of each entry.
- Standard thread forms available are ISO Metric M20-M90 or 1/2" - 3" NPT.

Options

- Hinges available for EJBW3A/3RA, EJBW4A/4RA, EJBW5A/5RA, EJBW60 & EJBH31A/31RA specify long or short side (fitted as standard on EJBH1 & EJBH2).
- Chromate primed and polyester powder coated for added protection against corrosion - available on request.
- Mounting brackets available on request.



JCE (Europe) Ltd., East Way, Lee Mill Industrial Estate, Ivybridge, PL21 9LL
Tel: +44 (0) 1752 690530 Fax: +44 (0) 1752 690531
E-Mail: info@jcegroup.com

JCE Group (UK) Ltd., Blackburn Business Park, Aberdeen, AB21 0PS
Tel: +44 (0) 1224 798600 Fax: +44 (0) 1224 798601
E-Mail: info@jcegroup.com

- Details of certification and conformity can be provided on request.
- All products sold subject to our terms and conditions of business.
- Health and Safety at Work Act 1974. In the UK all equipment must be installed and disposed of (as required) within the legislative requirements of the Health & Safety at Work Act 1974.
- We reserve the right to make alterations to the technical data dimensions, weights, designs and product available without notice.
- The illustrations should not be considered legally binding.