

The JCE range of GUB explosion proof enclosures are intended for use in areas made potentially hazardous by the presence of flammable liquids, gases, vapours and dusts (Zones 1, 2, 21 and 22).

Their function is to house a wide range of electrical equipment and devices including terminals, relays, contactors, ammeters, variable speed drives, PLCs and other transmitting/receiving instruments. They can be custom built to exact specification.

## Materials and Finish

**Body & Cover -** Aluminium alloy, EN AC-42000 (LM25) to BS EN 1706:1998 with less than 0.2% copper content. GUB3 also available in stainless steel 316 to BS3146 (1975):Pt2: ANC4BFC.

**Mounting Plate -** Mild steel zinc plated (passivated)

**Locking Screw -** Stainless steel (18/8)

**Finish -** Natural. A corrosion resistant finish is also available.

**Earthing -** All enclosures are supplied with a 6mm stainless steel (18/8) internal and external earth stud as standard. Larger internal earths can be fitted on request.

## Ratings and Approvals

**Categories -**  II 2 (1) G  
II 2 (1) D

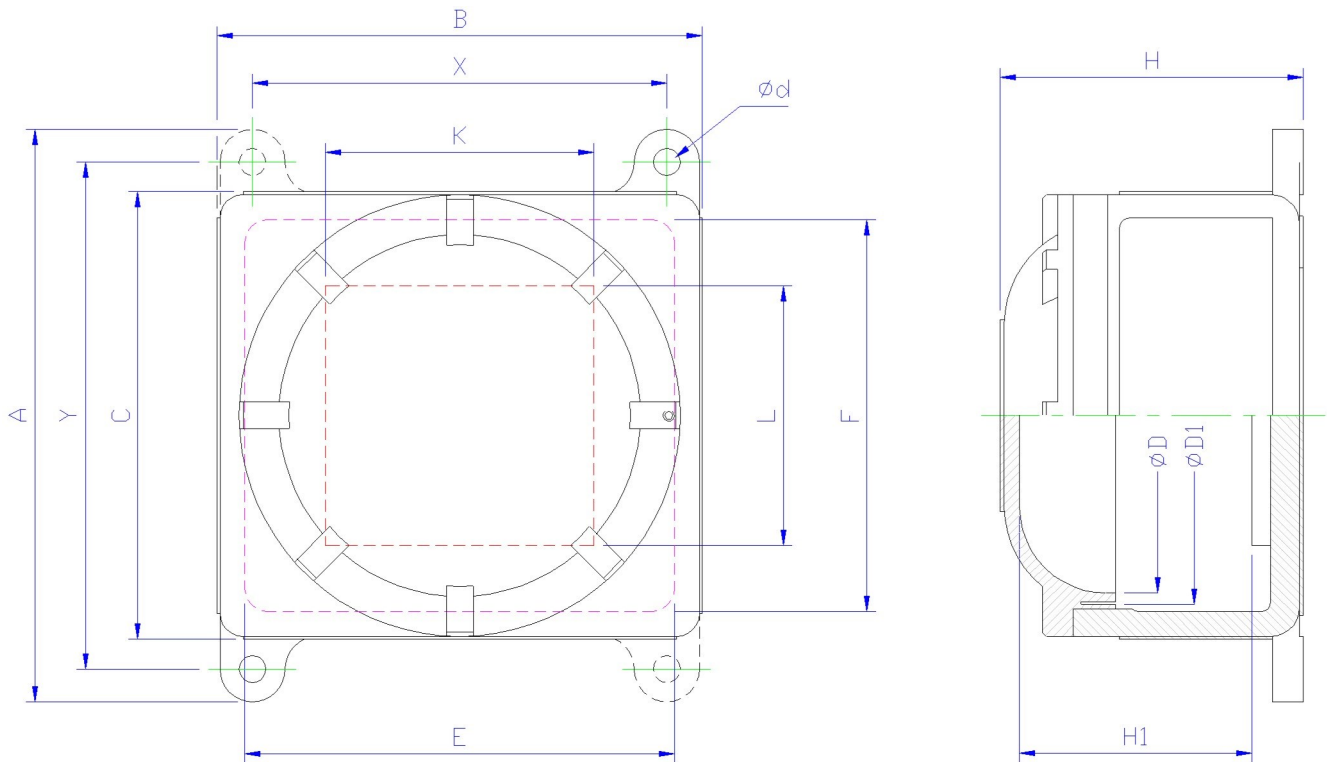
**Codes -** Ex d IIC T4 / T5 / T6 Gb  
Ex tb IIIC T130°C / T95°C / T80°C Db

**Protection Grade -** With Gasket - IP66  
Without Gasket - IP54

**Certificate Nos -** TRAC12ATEX0013X  
IECEx TRC 12.0005X

**Temperature -** -40°C to +60°C

## Dimensions



Enclosure Cat. No.	Overall Dimensions				Internal Dimensions					Mounting			No. Lugs	Mtg. Plate		Wt. Kg
	A	B	C	H	ØD	ØD1	E	F	H1	X	Y	Ød		K	L	
GUB1	165	125	125	120	80	92	96	96	76	100	145	8.5	2	60	65	1.86
GUB2	202	155	155	134	115	126	126	126	90	126	178	10	2	70	85	3.05
GUB3	220	176	176	135	130	142	146	146	88	145	200	10	2	100	105	4.35
GUB4	298	253	233	156	185	197	224	204	119	216	264	14	2	140	135	7.90
GUB5	353	310	285	223	220	240	280	256	176	270	318	14	4	175	160	13.25

### Entries and Thread Standards

- Each side of an enclosure will accommodate a varying number of tapped entries.
- Please provide a sketch indicating enclosure required with size and location of each entry.
- Standard thread forms available are ISO Metric M20-M90 and 1/2"- 3" NPT. Restrictions for enclosure type apply.

### Options

- Primed and polyester powder coated for added protection against corrosion - available on request.



**JCE (Europe) Ltd**, East Way, Lee Mill Industrial Estate, Ivybridge, PL21 9LL  
Tel: +44 (0) 1752 690530 Fax: +44 (0) 1752 690531  
Email: info@jcegroup.com

**JCE Group (UK) Ltd**, Blackburn Business Park, Aberdeen, AB21 0PS  
Tel: +44 (0) 1224 798600 Fax: +44 (0) 1224 798601  
Email: info@jcegroup.com

- Details of certification and conformity can be provided on request.
- All products sold subject to our terms and conditions of business.
- Health and Safety at Work Act 1974. In the UK all equipment must be installed and disposed of (as required) within the legislative requirements of the Health & Safety at Work Act 1974.
- We reserve the right to make alterations to the technical data dimensions, weights, designs and product available without notice.
- The illustrations should not be considered legally binding.