



Ex Enclosure Series (EMH)



The JCE range of EMH explosion proof, windowed enclosures are intended for use in areas made potentially hazardous by the presence of flammable liquids, gases, vapours and dusts (Zones 1, 2, 21 and 22).

Their function is to house a wide range of instrument equipment and devices including CCTV cameras, ammeters, voltmeters, ultra violet receivers, radio transmitters and infrared transmitters or receivers.

Materials and Finish


Body & Cover - Aluminium alloy, EN AC-42000 (LM25) to BS EN 1706:1998 with less than 0.2% copper content. EMH29 also available in stainless steel 316 to BS3146 (1975):Pt2:ANC4BFC

Locking screw - Stainless steel (304)

Finish - Natural. A corrosion resistant finish is also available

Earthing - All enclosures are supplied with a 6mm stainless steel (304) internal and external earth stud as standard. Larger internal earths can be fitted on request.

Ratings and Approvals

Categories -  II 2 G
II 2 D

Codes - Ex d IIC T5 / T6 Gb
Ex tb IIC T95°C / T80°C Db
Ex d op is IIC T5 / T6 Gb
Ex tb op is IIC T5 / T6 Gb

Protection Grade - IP66

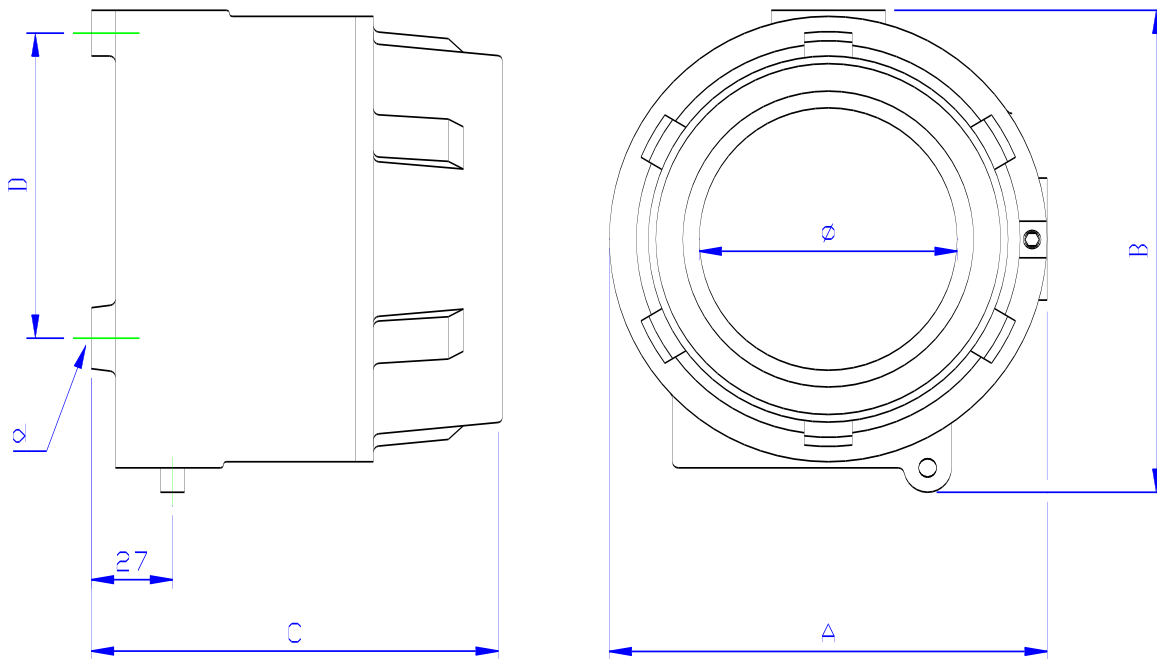
Certificate Nos - TRAC13ATEX0054X
IECEX TRC 13.0018X

Temperature - -40°C to +60°C

Certification:



Dimensions



Ordering Information

Cat. No.	Part No.	A	B	C	D	d	Window	Wt	Material
EMH29	106A00242	146	154	129	100	M6	86 Ø	2.5kg	Aluminium LM25
EMH29E	106A01880	146	154	299	100	M6	86 Ø	3.5kg	Aluminium LM25
EMH29SS	106A02033	146	154	129	100	M6	86 Ø	5.5kg	Stainless Steel 316
EMH29ESS	JCE003471	146	154	299	100	M6	86 Ø	7.7kg	Stainless Steel 316

Entries and Thread Standards

- Supplied with up to 3 x M20 entries, a maximum of 2 x M20/1/2" NPT or 1 x M25/3/4" on the bottom and one entry up to M25/3/4" NPT on top.
- Please provide a sketch indicating the enclosure required, showing the size and location of each entry.

Options

- Chromate primed and polyester powder coated for added protection against corrosion - available on request.



JCE (Europe) Ltd, East Way, Lee Mill Industrial Estate, Ivybridge, PL21 9LL
 Tel. +44 (0) 1752 690530
 E-Mail: info@jcegroup.com

JCE Group (UK) Ltd, Blackburn Business Park, Aberdeen, AB21 0PS
 Tel: +44 (0) 1224 798600
 E-Mail: info@jcegroup.com

- Details of certification and conformity can be provided on request.
- All products sold subject to our terms and conditions of business.
- Health and Safety at Work Act 1974. In the UK all equipment must be installed and disposed of (as required) within the legislative requirements of the Health & Safety at Work Act 1974.
- We reserve the right to make alterations to the technical data dimensions, weights, designs and product available without notice.
- The illustrations should not be considered legally binding.